

KEY FEATURES

- Variable speed
- Operated by Permanent magnetic synchronous motor (PMSM)
- A rated energy efficiency
- Low noise level at 33 decibels
- Self priming
- Salt water ready
- Water flow measuring at outlet
- Full AI control
- Wi-fi connection and App control



Introducing the new Inverhero pump with Full-inverter technology complete with a Permanent Magnet Synchronous Motor (PMSM). The PMSM motor offers better efficiency than previous induction type models.

The Inverhero also has the option of self monitoring with AI mode and the pump establishes the maximum flow rate achievable according to your water turnover and requirements in your pool circulation system. The pump will adjust to affect and balance your circulation rate according

to pressure changes in your pool system with smooth, whisper quiet operation. Without the traditional 3-5 speed variable limitations, the Inverhero pump offers you 100% control over the flow rate and allows you to adjust it to your desired rate outside of set parameters.

When you turn the flow right down the power consumption also drops due to the inverter technology and the PMSM motor which offers better efficiency all round and no energy is wasted.

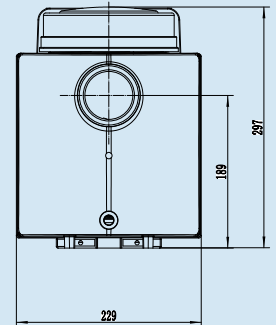
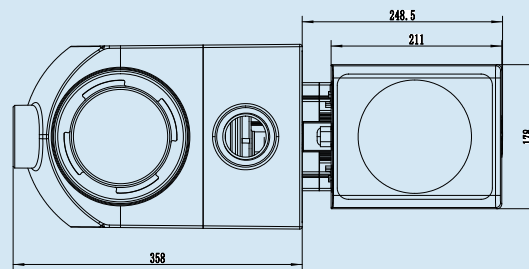
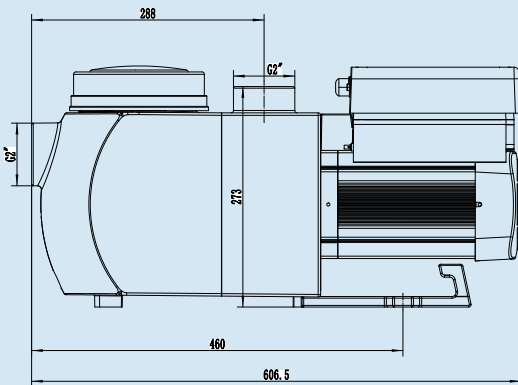


What is PMSM?

PMSM is a cross between an induction motor and brushless DC motor. With permanent magnets the PMSM can generate torque at zero speed. PMSM are typically used for high performance efficiency drives. High performance motor control is characterized by smooth rotation over the entire speed range of the motor, full torque control at zero speed and fast acceleration and deceleration.



Model	P1 KW	Voltage (V/Hz)	Qmax (m ³ /h)	Hmax (m)	Circulation	
					At 8m	At 10m
IH20	0.80	220-240/50/60	24.2	18.0	18.5	14.4
IH24	1.05		26.0	20.0	23.0	19.3
IH30	1.40		28.3	20.5	27.6	24.5
IH40	1.75		40.3	20.5	35.6	32.0



Full touch screen controller

- 7-day timer, set up to 4 timers a day, 7 days a week
- Backwash capacity with one touch operation
- Real time power consumption displayed (w)
- Variable speed control (%)
- Skimmer setting – set pump to run at low flow level for set period
- AI/MI mode optional
- Running capacity (m³/gallons)
- Wi-fi connection and App control

Application conditions

Water temperature	5°C – 50°C
Salt pools	Salt concentration up to 3.5%
Humidity	<90% RH, (20°C±2°C)
Installation	The pump can be installed max 2m above water level
Insulation	Class F, IP55